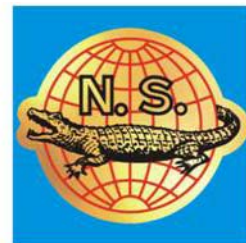


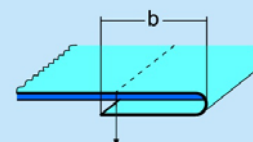
NS-6049J

半自動襯衫包下級領收料架

Semi-Automatic Shirt Collar Band Hemming Stacker



	2	3500RPM	DPx17 75/11	



- 適用於梳織襯衫包下級
- 配合F560包下級樸蝴蝶使用，並加裝收料架，可自動疊放領，整齊美觀且效率高
- 裁片放入蝴蝶後，機器自動執行車縫和收料，適合生手工人工人操作

跟機件：

F560 包下級樸蝴蝶
P742 3/16"右傍吊傍壓腳

選購件：

C33-6019-5-2 縫紉機
(JUKI DDL-9000B-SS-OB/CP18A)
C33-00191-31 縫紉機(JUKI DDL-8000ASMS-OBK)

- Suitable for hemming collar band of woven shirts
- Used in combination with F560 Collar Band Interlining Attachment; one stacker is added for laying collars in order
- After cut piece feeding into attachment, machine will automatically perform sewing and collecting; therefore, even unskilled worker can handle it at ease

Standards:

F560 Collar Band Interlining Attachment
P742 3/16" Right Flexible Guide Presser Foot

Option:

C33-6019-5-2 Sewing head
(JUKI DDL-9000B-SS-OB/CP18A)
C33-00191-31 Sewing head(JUKI DDL-8000ASMS-OBK)



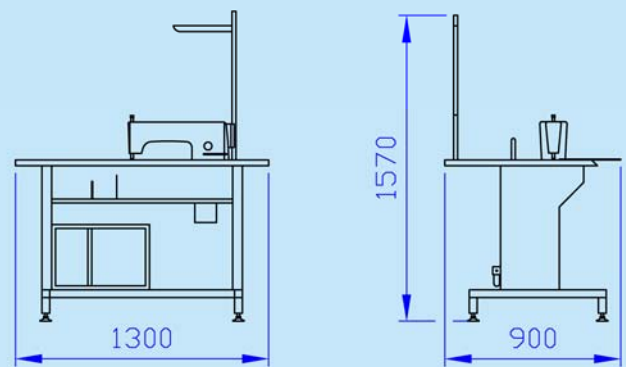
開始縫紉 Start sewing



第一裁片縫紉結束 First piece finished



收料 Collecting



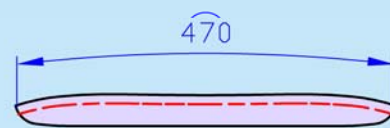
機身尺寸 Machine size

針距 Stitch Length(mm): 1.2

車速 Speed(RPM): 3500

車縫長度 Sewing length (mm): 470

產量 Output(pcs/hr): 520



型號 Model	適用衣車頭機型 Applicable Sewing Head Model	電源 Power Supply	總功率(kW) Total Power	最大收料尺寸(mm) Max. Collectable Material Size	壓縮空氣壓力(kgf/cm ²) Compressed Air Pressure	耗壓縮空氣量 (L/min) Compressed Air Consumption	機身尺寸(mm) Machine Size
NS-6049J	JUKI DDL-9000B / JUKI DDL-8000AJUKI	1PH/220V/50Hz	0.33	500	5	10	1300x900x1570



藝誠(余氏)發展有限公司
Ngai Shing Development Limited

香港九龍長沙灣永康街52號地下
G/F., 52 Wing Hong St.,
Cheung Sha Wan, Kln., Hong Kong.

Tel: (852) 2741 9981, 2742 0078 E-MAIL: info@ngaishing.com
Fax: (852) 2785 3149 Http://www.ngaishing.com